

THE DATALINE SERIES

RF Antenna Protectors

12-00296/12-00639

rev1

Features

- Low insertion loss
- High power capabilities
- Compact design

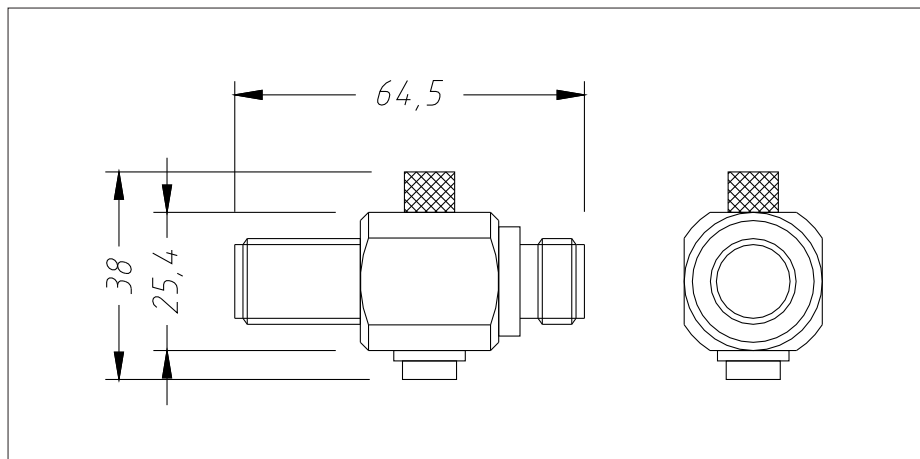
An effective protection module for radio frequency systems up to 2500MH. Use of gas cartridge caters for systems with DC feed on antenna cables. Connectors are N-Type and the device may be installed at cable entry panels as well as at the antenna itself.



*Specifications subject to change without prior notice due to continuous improvements

Specifications		
Order Code	12-00296	12-00639
Max operating voltage	90Vdc	230Vdc
Frequency range	DC - 2500MHz	DC - 2500MHz
Power capabilities	500W	500W
Characteristic impedance	50 ohms	50 ohms
Max discharge current (8/20us)	10kA	10kA
Connectors	N-type	N-type

Dimensions



Designed and Manufactured by:

Clearline Protection Systems (Pty) Ltd

385 Roan Crescent Corporate Park North, Old Pta Road,
Midrand, South Africa

P.O. Box 5985, Halfway House, 1685

Tel: +27 (0) 11 848-1100

Fax: +27 (0) 11 314-3880

E-mail: info@clearline.co.za

www.clearline.co.za

